



K10是單向雙唇防塵環，確保雜物不會進入液壓油缸。唇經過特殊設計，可以有效地除去灰塵并在拉杆上留下殘余油膜。

產品優勢

- 卓越的防塵性能
- 尺寸範圍
- 溝槽無扭曲
- 防塵唇能可靠地除去灰塵并在拉杆上留下殘余油膜
- 雙唇能防止顆粒進入油缸
- 易安裝

用途

工程機械，叉車，注塑機，農業機械和標準油缸

| 材料 | 代碼 |
|-----|----------------------|
| NBR | 90 SHORE A NB9001 |

| 操作條件 | | | |
|------|--------------------|------------------|----------------|
| 介質 | 礦物油 (DIN 51524) | 水基傳動液和 HFB乳化液 | HFC |
| 溫度 | -30°C +105°C | +5°C +60°C | -30°C +60°C |
| 速度 | ≤1.0 m/sec | ≤1.0 m/sec | ≤1.0 m/sec |

注意：以上條件數據均為最大值，不能全部同時達到。

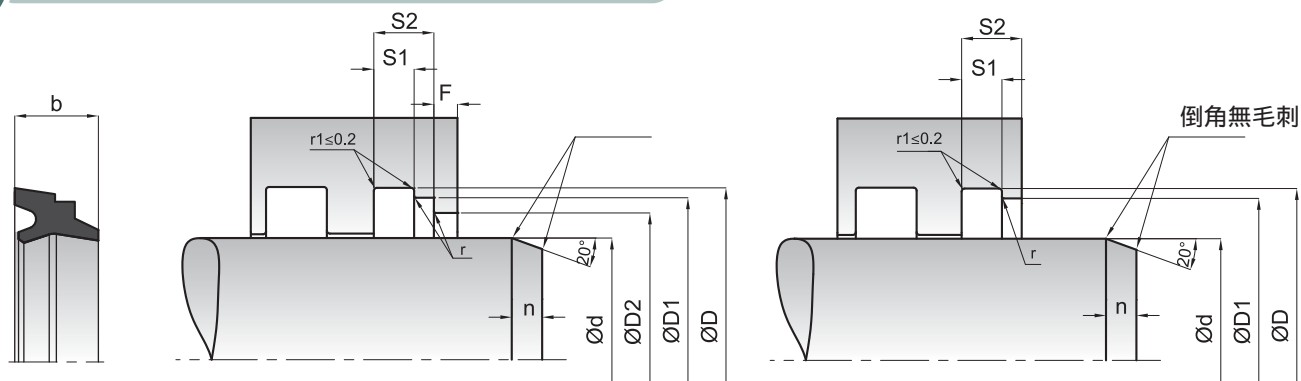
| 表面光潔度 | | Ra | Rmax |
|-------|----|---------|---------|
| 滑動表面 | Ød | ≤0.3 µm | ≤3.2 µm |
| 溝槽底部 | ØD | ≤1.8 µm | ≤10 µm |
| 溝槽側面 | S1 | ≤3 µm | ≤16 µm |

安裝

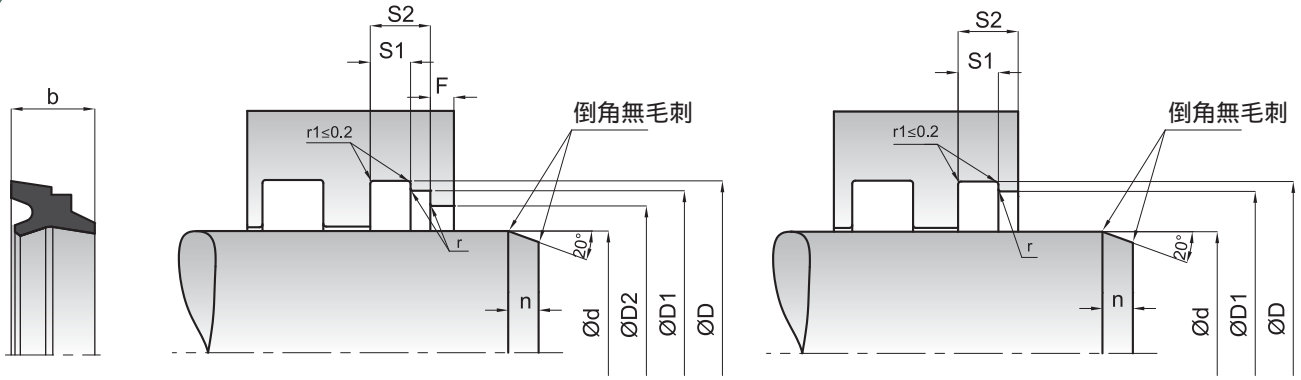
通常來說，通過把防塵環變成腎形，就可以很方便地安裝到閉口式溝槽中。非常重要是安裝工具必須是軟質材料并且沒有銳角，在安裝之前，此密封件必須塗上系統用壓力油。

注意

K10雙唇防塵環應該與適合的拉杆封組合使用，以避免產生液壓壓力或密封件和防塵環之間應該有緩壓孔以防止壓力不斷擴大（查看液壓密封件-樣品設計這部分）。對於要求高溫的特殊用途，K10防塵環可由氟橡膠材料制成。



| KASTAŞ NO | d (f8) | D (H10) | D1 (H9) | D2 (H10) | S1 (-0/+0.2) | S2 (-0/+0.2) | F ≥ | b | r |
|-----------|--------|---------|---------|----------|--------------|--------------|-----|----|-----|
| K10-010 | 10 | 18 | 16 | 13.5 | 4 | 6 | 2 | 8 | 0.5 |
| K10-012 | 12 | 20 | 18 | 15.5 | 4 | 6 | 2 | 8 | 0.5 |
| K10-014 | 14 | 22 | 20 | 17.5 | 4 | 6 | 2 | 8 | 0.5 |
| K10-015 | 15 | 23 | 21 | 18.5 | 4 | 6 | 2 | 8 | 0.5 |
| K10-016 | 16 | 24 | 22 | 19.5 | 4 | 6 | 2 | 8 | 0.5 |
| K10-018 | 18 | 26 | 24 | 21.5 | 4 | 6 | 2 | 8 | 0.5 |
| K10-020 | 20 | 28 | 26 | 23.5 | 4 | 6 | 2 | 8 | 0.5 |
| K10-022 | 22 | 30 | 28 | 25.5 | 4 | 6 | 2 | 8 | 0.5 |
| K10-024 | 24 | 32 | 30 | 27.5 | 4 | 6 | 2 | 8 | 0.5 |
| K10-025 | 25 | 33 | 31 | 28.5 | 4 | 6 | 2 | 8 | 0.5 |
| K10-026 | 26 | 34 | 32 | 29.5 | 4 | 6 | 2 | 8 | 0.5 |
| K10-028 | 28 | 36 | 34 | 31.5 | 4 | 6 | 2 | 8 | 0.5 |
| K10-030 | 30 | 38 | 36 | 33.5 | 4 | 6 | 2 | 8 | 0.5 |
| K10-032 | 32 | 40 | 38 | 35.5 | 4 | 6 | 2 | 8 | 0.5 |
| K10-035 | 35 | 43 | 41 | 38.5 | 4 | 6 | 2 | 8 | 0.5 |
| K10-036 | 36 | 44 | 42 | 39.5 | 4 | 6 | 2 | 8 | 0.5 |
| K10-037 | 37 | 45 | 43 | 40.5 | 4 | 6 | 2 | 8 | 0.5 |
| K10-038 | 38 | 46 | 44 | 41.5 | 4 | 6 | 2 | 8 | 0.5 |
| K10-040 | 40 | 48 | 46 | 43.5 | 4 | 6 | 2 | 8 | 0.5 |
| K10-042 | 42 | 50 | 48 | 45.5 | 4 | 6 | 2 | 8 | 0.5 |
| K10-045 | 45 | 53 | 51 | 48.5 | 4 | 6 | 2 | 8 | 0.5 |
| K10-046 | 46 | 54 | 52 | 49.5 | 4 | 6 | 2 | 8 | 0.5 |
| K10-048 | 48 | 56 | 54 | 51.5 | 4 | 6 | 2 | 8 | 0.5 |
| K10-050 | 50 | 58 | 56 | 53.5 | 4 | 6 | 2 | 8 | 0.5 |
| K10-052 | 52 | 60 | 58 | 55.5 | 4 | 6 | 2 | 8 | 0.5 |
| K10-055 | 55 | 63 | 61 | 58.5 | 4 | 6 | 2 | 8 | 0.5 |
| K10-056 | 56 | 64 | 62 | 59.5 | 4 | 6 | 2 | 8 | 0.5 |
| K10-060 | 60 | 68 | 66 | 63.5 | 4 | 6 | 2 | 8 | 0.5 |
| K10-063 | 63 | 71 | 69 | 66.5 | 4 | 6 | 2 | 8 | 0.5 |
| K10-065 | 65 | 73 | 71 | 68.5 | 4 | 6 | 2 | 8 | 0.5 |
| K10-068 | 68 | 76 | 74 | 71.5 | 4 | 6 | 2 | 8 | 0.5 |
| K10-070 | 70 | 78 | 76 | 73.5 | 4 | 6 | 2 | 8 | 0.5 |
| K10-075 | 75 | 83 | 81 | 78.5 | 4 | 6 | 2 | 8 | 0.5 |
| K10-080 | 80 | 88 | 86 | 83.5 | 4 | 6 | 2 | 8 | 0.5 |
| K10-085 | 85 | 93 | 91 | 88.5 | 4 | 6 | 2 | 8 | 0.5 |
| K10-090 | 90 | 98 | 96 | 93.5 | 4 | 6 | 2 | 8 | 0.5 |
| K10-095 | 95 | 103 | 101 | 98.5 | 4 | 6 | 2 | 8 | 0.5 |
| K10-100 | 100 | 108 | 106 | 103.5 | 4 | 6 | 2 | 8 | 0.5 |
| K10-105 | 105 | 117 | 114 | 110 | 5.5 | 8.2 | 3 | 11 | 1 |
| K10-110 | 110 | 122 | 119 | 115 | 5.5 | 8.2 | 3 | 11 | 1 |
| K10-113 | 113 | 125 | 122 | 118 | 5.5 | 8.2 | 3 | 11 | 1 |
| K10-115 | 115 | 127 | 124 | 120 | 5.5 | 8.2 | 3 | 11 | 1 |
| K10-120 | 120 | 132 | 129 | 125 | 5.5 | 8.2 | 3 | 11 | 1 |
| K10-125 | 125 | 137 | 134 | 130 | 5.5 | 8.2 | 3 | 11 | 1 |
| K10-130 | 130 | 142 | 139 | 135 | 5.5 | 8.2 | 3 | 11 | 1 |
| K10-135 | 135 | 147 | 144 | 140 | 5.5 | 8.2 | 3 | 11 | 1 |
| K10-140 | 140 | 152 | 149 | 145 | 5.5 | 8.2 | 3 | 11 | 1 |
| K10-142 | 142 | 154 | 151 | 147 | 5.5 | 8.2 | 3 | 11 | 1 |
| K10-145 | 145 | 157 | 154 | 150 | 5.5 | 8.2 | 3 | 11 | 1 |



| KASTAŞ NO | d (f8) | D (H10) | D1 (H9) | D2 (H10) | S1 (-0/+0.2) | S2 (-0/+0.2) | F ≥ | b | r |
|-----------|--------|---------|---------|----------|--------------|--------------|-----|----|---|
| K10-150 | 150 | 162 | 159 | 155 | 5.5 | 8.2 | 3 | 11 | 1 |
| K10-155 | 155 | 167 | 164 | 160 | 5.5 | 8.2 | 3 | 11 | 1 |
| K10-160 | 160 | 172 | 169 | 165 | 5.5 | 8.2 | 3 | 11 | 1 |
| K10-165 | 165 | 177 | 174 | 170 | 5.5 | 8.2 | 3 | 11 | 1 |
| K10-170 | 170 | 182 | 179 | 175 | 5.5 | 8.2 | 3 | 11 | 1 |
| K10-172 | 172 | 184 | 181 | 177 | 5.5 | 8.2 | 3 | 11 | 1 |
| K10-175 | 175 | 187 | 184 | 180 | 5.5 | 8.2 | 3 | 11 | 1 |
| K10-180 | 180 | 192 | 189 | 185 | 5.5 | 8.2 | 3 | 11 | 1 |
| K10-185 | 185 | 197 | 194 | 190 | 5.5 | 8.2 | 3 | 11 | 1 |
| K10-190 | 190 | 202 | 199 | 195 | 5.5 | 8.2 | 3 | 11 | 1 |
| K10-192 | 192 | 204 | 201 | 197 | 5.5 | 8.2 | 3 | 11 | 1 |
| K10-195 | 195 | 207 | 204 | 200 | 5.5 | 8.2 | 3 | 11 | 1 |
| K10-200 | 200 | 212 | 209 | 205 | 5.5 | 8.2 | 3 | 11 | 1 |
| K10-205 | 205 | 220 | 216 | 212 | 6.4 | 9.5 | 3 | 13 | 1 |
| K10-210 | 210 | 225 | 221 | 217 | 6.4 | 9.5 | 3 | 13 | 1 |
| K10-215 | 215 | 230 | 227 | 222 | 6.4 | 9.5 | 3 | 13 | 1 |
| K10-220 | 220 | 235 | 231 | 227 | 6.4 | 9.5 | 3 | 13 | 1 |
| K10-225 | 225 | 240 | 236 | 232 | 6.4 | 9.5 | 3 | 13 | 1 |
| K10-230 | 230 | 245 | 241 | 237 | 6.4 | 9.5 | 3 | 13 | 1 |
| K10-235 | 235 | 250 | 247 | 242 | 6.4 | 9.5 | 3 | 13 | 1 |
| K10-240 | 240 | 255 | 251 | 247 | 6.4 | 9.5 | 3 | 13 | 1 |
| K10-245 | 245 | 260 | 257 | 252 | 6.4 | 9.5 | 3 | 13 | 1 |
| K10-250 | 250 | 265 | 261 | 257 | 6.4 | 9.5 | 3 | 13 | 1 |
| K10-258 | 258 | 273 | 270 | 265 | 6.4 | 9.5 | 3 | 13 | 1 |
| K10-260 | 260 | 275 | 271 | 267 | 6.4 | 9.5 | 3 | 13 | 1 |
| K10-270 | 270 | 285 | 282 | 277 | 6.4 | 9.5 | 3 | 13 | 1 |
| K10-275 | 275 | 290 | 286 | 282 | 6.4 | 9.5 | 3 | 13 | 1 |
| K10-280 | 280 | 295 | 291 | 287 | 6.4 | 9.5 | 3 | 13 | 1 |
| K10-285 | 285 | 300 | 297 | 292 | 6.4 | 9.5 | 3 | 13 | 1 |
| K10-290 | 290 | 305 | 301 | 297 | 6.4 | 9.5 | 3 | 13 | 1 |
| K10-300 | 300 | 315 | 311 | 307 | 6.4 | 9.5 | 3 | 13 | 1 |
| K10-310 | 310 | 325 | 321 | 317 | 6.4 | 9.5 | 3 | 13 | 1 |
| K10-320 | 320 | 335 | 331 | 327 | 6.4 | 9.5 | 3 | 13 | 1 |
| K10-340 | 340 | 355 | 352 | 347 | 6.4 | 9.5 | 3 | 13 | 1 |
| K10-345 | 345 | 360 | 357 | 352 | 6.4 | 9.5 | 3 | 13 | 1 |
| K10-350 | 350 | 365 | 361 | 357 | 6.4 | 9.5 | 3 | 13 | 1 |
| K10-360 | 360 | 375 | 371 | 367 | 6.4 | 9.5 | 3 | 13 | 1 |
| K10-370 | 370 | 385 | 381 | 377 | 6.4 | 9.5 | 3 | 13 | 1 |
| K10-400 | 400 | 415 | 412 | 407 | 6.4 | 9.5 | 3 | 13 | 1 |
| K10-450 | 450 | 465 | 462 | 457 | 6.4 | 9.5 | 3 | 13 | 1 |
| K10-460 | 460 | 475 | 472 | 467 | 6.4 | 9.5 | 3 | 13 | 1 |